



Electronic 680 Refrigerator / Freezer

Model

E442BLE G FP WW 13

Product Code

21646-B



21646-B

PRODUCT

| | |
|---------------------|--------------------|
| Brand | Fisher & Paykel |
| Voltage | 220-240V 50Hz |
| Model | E402BLE G FP WW 13 |
| Product Code | 21646-B |

Fisher & Paykel Appliances Ltd
78 Springs Road, East Tamaki
PO Box 58-732, Greenmount
Auckland, New Zealand
Telephone: 09 273 0600
Facsimile: 09 273 0656

Fisher & Paykel Australia Pty Ltd
A.C.N. 003 335 171
19 Enterprise Street
P O Box 798
Cleveland, Queensland 4163
Telephone: 07 3826 9100
Facsimile: 07 3826 9164

Fisher & Paykel Appliances Ltd U.K
Pheasant Oak Barn,
Hob Lane, Balsall Common
Warwickshire, CV7 7GX
England
Telephone: +44 1676 531 770
Facsimile: +44 1676 531 771

CONTENTS

| | |
|--|----|
| DOORS..... | 6 |
| CABINET COMPONENTS | 8 |
| FAN, COVERS AND EVAPORATOR ASSEMBLIES..... | 12 |
| DISPLAY MODULE AND DUCT COVERS | 14 |
| ACTIVE SMART ST4 TERMINALS PLUGS & SOCKETS..... | 16 |
| COMPRESSOR, ANCILLARY COMPONENTS & CONTROL MODULE..... | 18 |
| NOTES | 22 |
| REFRIGERATION ABBREVIATION KEY | 23 |

GUIDE TO USING THIS MANUAL

The model covered by this manual is listed on the front cover.

The information detailed in this manual is subject to change without notice, the latest version is indicated by the reprint date and replaces any earlier editions.

The front cover picture shows the type of product and may not necessarily be an exact image of the models covered by the manual.

Kit Parts

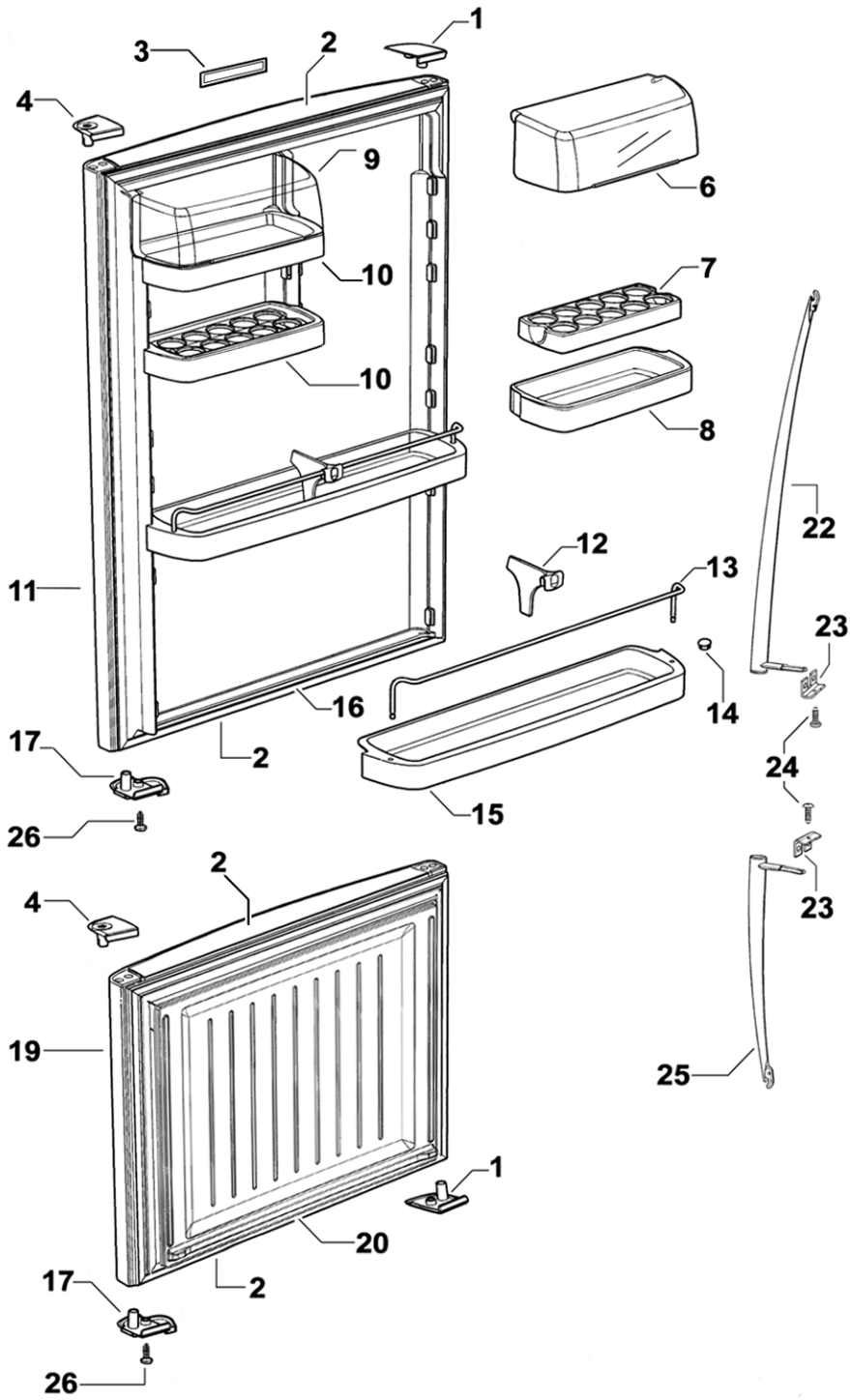
The components shown in *italics with a part number* are those parts in the kit which are available also as separate items. In addition, some parts may be supplied with this kit which are not available as separate items and are therefore either not listed or a part number is not shown against the part description in this manual.

All details relating to Technical Bulletins or Notes are shown on a dedicated page. The Technical Bulletin Number shown relates to the bulletin version which is produced for the Global Service Centres.

Parts List Key

| | |
|----------------|--|
| NOT USED | As a part, indicates the diagram part reference is not used in this manual. |
| # | Beside the part number, indicates the part is no longer available. |
| <i>italics</i> | Kit components or parts included are shown in <i>italics</i> , refer to above notes: Kit Parts |
| * | Indicates a Technical Bulletin or note exists for the part or part reference. |
| NI | As a part reference, indicates the part is not illustrated on the diagram. |

DOORS

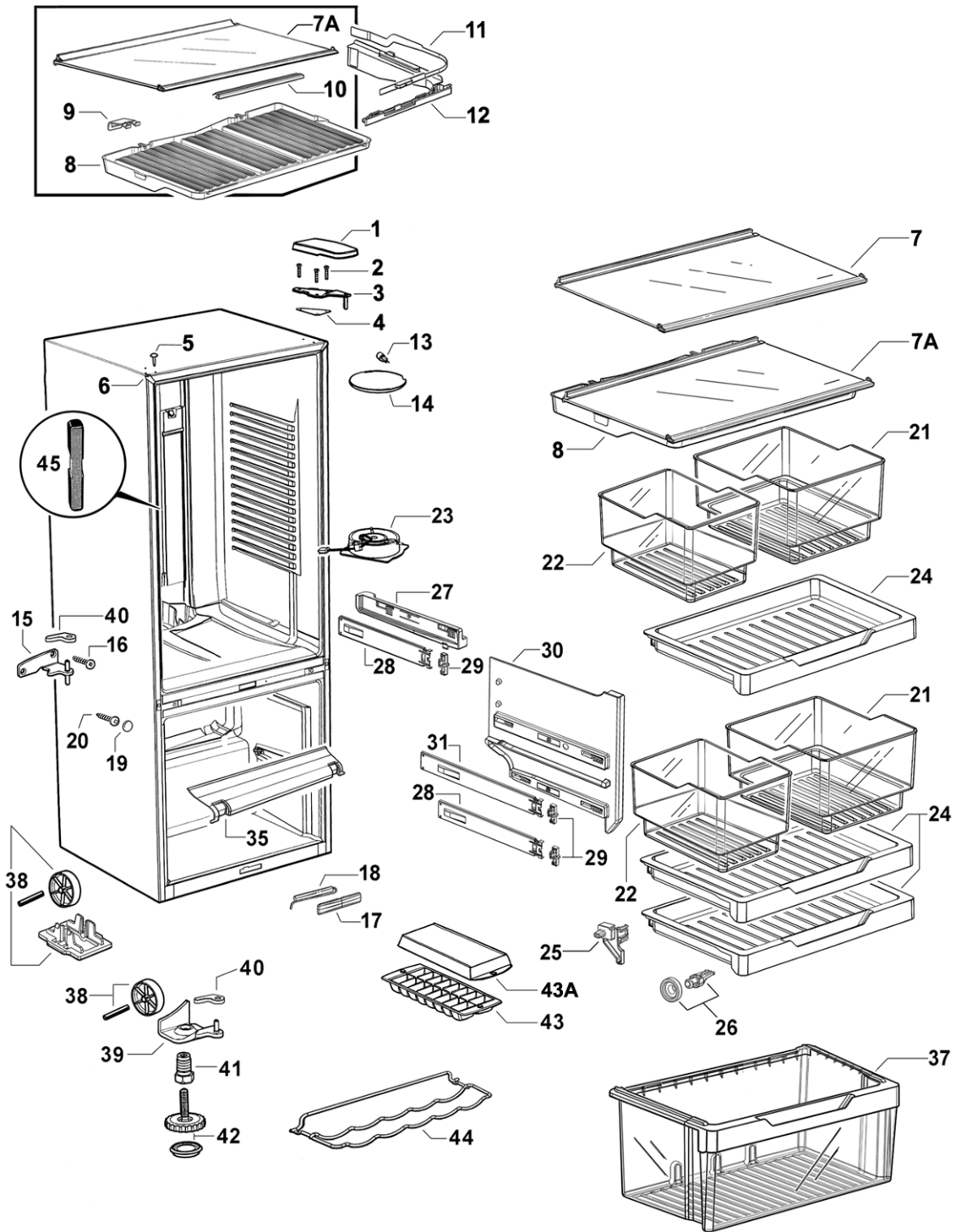


DWG000010

DOORS

| REF | PART | DESCRIPTION |
|-----|---------|---|
| 1 | 883717 | COVER HGE DR RHT/LHB WH LIP 680/790 |
| | 883718 | COVER HGE DR LHT/RHB WH LIP 680/790 |
| 2 | 883671 | CAP DOOR END OUTER WH 680 |
| 3 | 836790 | NAMEPLATE F&P ELEG/TASMAN |
| 4 | 883661 | BEARING HINGE LH WH LIP 680/790 |
| 6 | 882692 | COVER DOOR SHELF 680 RH |
| 7 | 882671 | SHELF EGG RACK 680 |
| 8 | 882689 | SHELF DOOR SMALL RH 680 |
| 9 | 882691 | COVER DOOR SHELF 680 LH |
| 10 | 882690 | SHELF DOOR SMALL LH 680 |
| 11 | 300064P | DOOR PC WW 680X1030 LH CS HANP/C |
| 12 | 883121 | DIVIDER BOTTLE RAIL WHITE |
| 13 | 881356 | RAIL BOTTLE SUPPORT SATIN CHROME 680 |
| 14 | 876281 | PLUG DOOR SHELF WHITE |
| 15 | 882688 | SHELF DOOR LARGE 680 |
| 16 | 883731P | GASKET ASSY E442B PC LGREY |
| 17 | 881456 | BEARING DR CLOSE LH WH 680/790 |
| 19 | 312073P | DOOR FC G WW 680X612 LH |
| 20 | 883732P | GASKET ASSY E442B/E406B FC LGR |
| 22 | 813914 | HANDLE DOOR CURVED LONG P/C |
| 23 | 881391 | PLATE HANDLE SUPPORT PLATED |
| 24 | 881044P | SCREW 8X22 WAFER PHIL STZP (PKT 10) |
| 25 | 813915 | HANDLE DOOR CURVED SHORT P/C |
| 26 | 881044P | SCREW 8X22 WAFER PHIL STZP (PKT 10) |
| NI | 884466 | BOOKLET USE & CARE FRIDGE EU |
| NI | 479314 | CARD WARRANTY REGISTRATION ALL PRODUCTS |

CABINET COMPONENTS

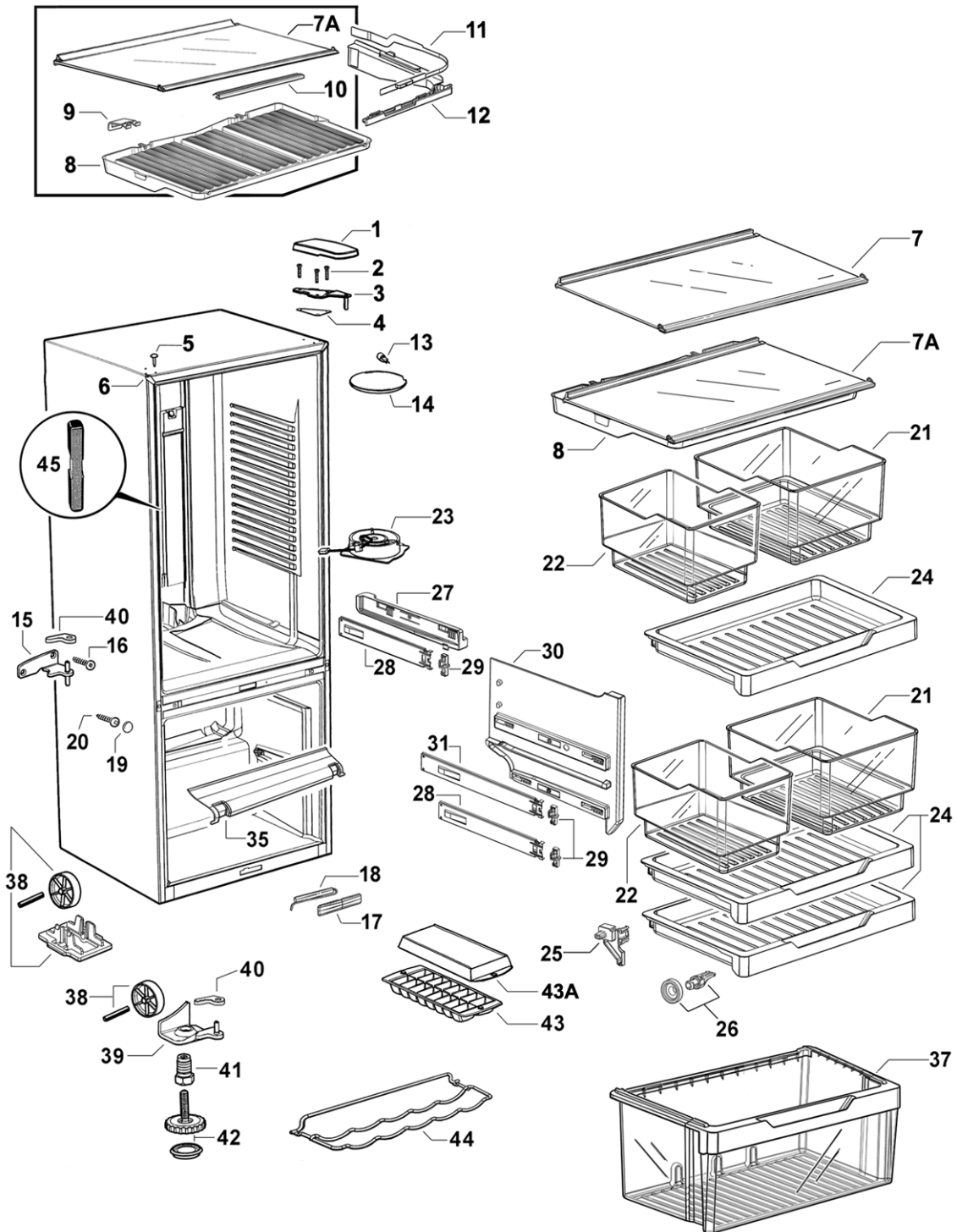


CABINET COMPONENTS

| REF | PART | DESCRIPTION |
|-----|------------------------|--|
| 1 | 880490 | COVER TOP HINGE WHITE |
| 2 | SP0282P | SCREW MC M5X20 HEX PH MS ZNPL (PKT 10) |
| 3 | 880526 | BRACKET TOP HINGE ASSY |
| 4 | 882355 | GASKET TOP HINGE |
| 5 | 881131 | PLUG TAPPED HOLE WHITE |
| 6 | 883590 | TRIM CORNER RECESSED WHITE |
| 7 | 836750 | SHELF GLASS PC 680 ASSY SC |
| | <i>Includes 836569</i> | <i>PLUG STIFFENER SHELF RH</i> |
| | <i>Includes 836570</i> | <i>PLUG STIFFENER SHELF LH</i> |
| | <i>Includes 836567</i> | <i>PLUG TRIM SHELF RH</i> |
| | <i>Includes 836568</i> | <i>PLUG TRIM SHELF LH</i> |
| | <i>Includes</i> | <i>TRIM SHELF PC 680 SC</i> |
| | <i>Includes</i> | <i>STIFFENER SHELF PC 680 SC</i> |
| | <i>Includes</i> | <i>SHELF GLASS PC 680</i> |
| 7A | 836727 | SHELF GLASS HCL 680B ASSY SC |
| | <i>Includes 836569</i> | <i>PLUG STIFFENER SHELF RH</i> |
| | <i>Includes 836570</i> | <i>PLUG STIFFENER SHELF LH</i> |
| | <i>Includes 836567</i> | <i>PLUG TRIM SHELF RH</i> |
| | <i>Includes 836568</i> | <i>PLUG TRIM SHELF LH</i> |
| | <i>Includes 881268</i> | <i>BRACKET HCL SUPPORT B GLASS SHELF (2)</i> |
| | <i>Includes 836581</i> | <i>RETAINER HCL FRONT 680</i> |
| | <i>Includes</i> | <i>TRIM SHELF PC 680 SC</i> |
| | <i>Includes</i> | <i>STIFFENER SHELF PC 680 SC</i> |
| | <i>Includes</i> | <i>SHELF GLASS PC 680</i> |
| 8 | 836573 | LID HUMIDITY CONTROL 680B |
| 9 | 881268 | BRACKET HCL SUPPORT B GLASS SHELF |
| 10 | 836581 | RETAINER HCL FRONT 680 |
| 11 | 836631 | SLIDE CONTROL HUMIDITY RH |
| | 836633 | SLIDE CONTROL HUMIDITY LH |
| 12 | 836632 | GUIDE CONTROL HUMIDITY RH |
| | 836634 | GUIDE CONTROL HUMIDITY LH |
| 13 | 874017 | LAMP HALOGEN PC |
| 14 | 875318 | COVER LAMP PC |
| 15 | 881286 | BRACKET CTR HINGE LH PLATED |
| 16 | 880656P | SCREW 10GX25CSK SQ SS (PKT 10) |
| 17 | 881420 | COVER REED SWITCH WHITE ST4 |
| 18 | 881223P | SWITCH REED FIELD FIX KIT ST4 |
| 19 | 880595 | CAP SCREW CROSS RAIL WHITE |
| 20 | 880655P | SCREW #10X12 AB #2 SQ ZN NP (PKT 10) |
| 21 | 836523 | BIN SMALL 680 |
| 22 | 836522 | BIN SMALL |
| 23 | 884518P | FAN & HOUSING PC ASSY |
| | <i>Includes</i> | <i>CONNECTOR IDC UP2 (2)</i> |
| | <i>Includes</i> | <i>LABEL WARNING 12 VOLT DC</i> |
| | <i>Includes</i> | <i>FAN & HOUSING PC ASSY</i> |

Continued next page

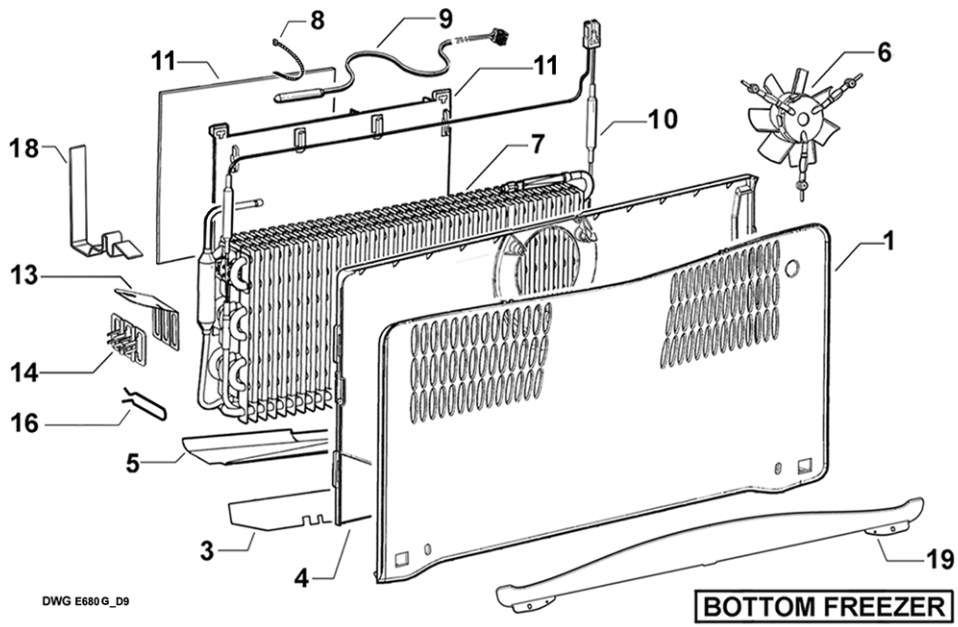
CABINET COMPONENTS



CABINET COMPONENTS

| REF | PART | DESCRIPTION |
|--|------------------------|-----------------------------------|
| 24 | 836513 | TRAY 680 |
| 25 | 836585 | SKID TRAY RH |
| | 836586 | SKID TRAY LH |
| 26 | 836517 | WHEEL & CHASSIS ASSEMBLY (PKT 2) |
| 27 | 836808 | RETAINER & SLIDE 680 RH ASSY |
| | <i>Includes</i> | <i>RETAINER SLIDE PC B RH</i> |
| | <i>Includes 836700</i> | <i>SLIDE 305 RH ASSEMBLY</i> |
| | <i>Includes 836520</i> | <i>CLIP SLIDE</i> |
| | 836807 | RETAINER & SLIDE 680 LH ASSY |
| | <i>Includes</i> | <i>RETAINER SLIDE PC B LH</i> |
| | <i>Includes 836701</i> | <i>SLIDE 305 LH ASSEMBLY</i> |
| | <i>Includes 836520</i> | <i>CLIP SLIDE</i> |
| 28 | 836700 | SLIDE 305 RH ASSEMBLY |
| | <i>Includes 836520</i> | <i>CLIP SLIDE</i> |
| | 836701 | SLIDE 305 LH ASSEMBLY |
| | <i>Includes 836520</i> | <i>CLIP SLIDE</i> |
| 29 | 836520P | CLIP SLIDE (PKT 2) |
| 30 | 836545 | RETAINER SLIDE FC RH |
| | 836546 | RETAINER SLIDE FC LH |
| 31 | 836702 | SLIDE 350 RH ASSEMBLY |
| | <i>Includes 836520</i> | <i>CLIP SLIDE</i> |
| | 836703 | SLIDE 350 LH ASSEMBLY |
| | <i>Includes 836520</i> | <i>CLIP SLIDE</i> |
| 35 | 836594 | DUCT RETURN AIR FC 680 |
| 37 | 836660 | BIN LARGE 680 ASSEMBLY |
| | <i>Includes</i> | <i>HANDLE BIN LARGE</i> |
| 38 | 315090P | KIT WHEEL BRACKET CLIP |
| | <i>Includes</i> | <i>PIN ROLLER PLATED</i> |
| | <i>Includes</i> | <i>ROLLER FOOT FRONT</i> |
| | <i>Includes</i> | <i>CLIP WHEEL BRACKET</i> |
| 39 | 881277 | BRACKET BTTM HINGE LH ASSY PLATED |
| 40 | 883989 | CAP DOOR CLOSING HGE BRKT GY LH |
| 41 | 880959 | BOLT BTTM HINGE BRKT |
| 42 | 880512 | FOOT LEVELLING ASSEMBLY |
| | <i>Includes 880519</i> | <i>BASE LEVELLING FOOT</i> |
| 43 | 874107 | TRAY ICE BASE |
| 43A | 874108 | TRAY ICE LID |
| 44 | NOT USED | |
| 45 | NOT USED | |
| JOINER KIT FOR SIDE BY SIDE CABINET CONNECTION | | |
| Used for combining any of the the following 1695mm high cabinet models: N388 ,C450, E402B, E411T, E415H, E440T, E442B, E521T and E522B | | |
| NI | 813835 | KIT JOINER WHITE |

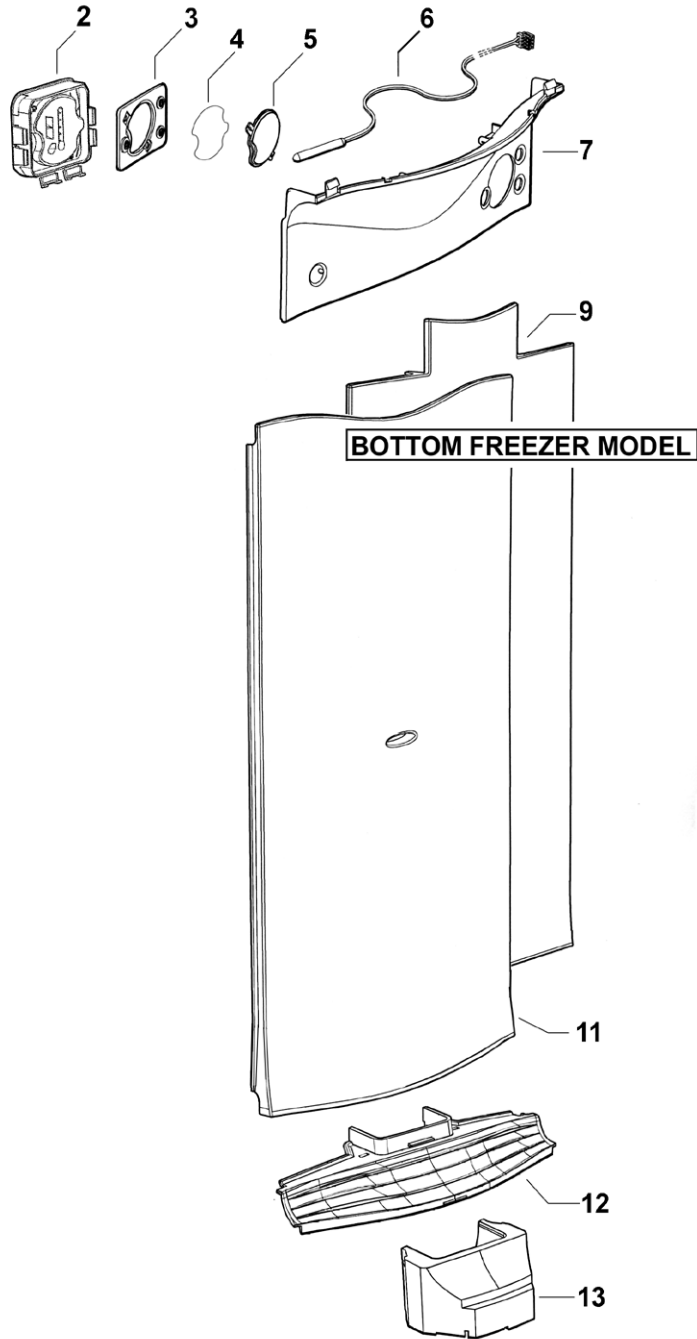
FAN, COVERS AND EVAPORATOR ASSEMBLIES



FAN, COVERS, & EVAPORATOR ASSEMBLIES

| REF | PART | DESCRIPTION |
|-----|------------------------|--|
| 1 | 878933 | COVER FC FRONT E680 B MODEL |
| 3 | 880691 | SHEILD FC REAR COVER E680B |
| 4 | | COVER FAN FC REAR 680 (Part of 306095P) |
| 5 | 880637 | SHIELD DRAIN HTR DEFROST 680B |
| 6 | | FAN DC SUSPENDEED FC ASSY (Part of 306095P) |
| | 306095P | FAN FC KIT 680 SERIES B to C |
| | <i>Includes 883861</i> | <i>SHEILD FC COVER 680</i> |
| | <i>Includes</i> | <i>COVER FAN FC REAR 680</i> |
| | <i>Includes</i> | <i>CONNECTOR IDC UP2 (2)</i> |
| | <i>Includes</i> | <i>LABEL WARNING 12 VOLT DC</i> |
| | <i>Includes</i> | <i>FAN DC SUSPENDEED FC ASSY</i> |
| 7 | 881433P | EVAPORATOR SERV KIT 680 ST4 (DEFROST HEATER NOT INCLUDED) |
| 8 | 900325 | TIE PLASTIC 140MM |
| 9 | 855203P | SENSOR KIT ASSY |
| | <i>Includes</i> | <i>HEATSHRINK 1/8" MW ADHESIVE LINED</i> |
| | <i>Includes</i> | <i>HARNESS SENSOR PC</i> |
| 10 | 884509P | HEATER DEF & FUSE YELLOW LEAD 680 240V (EXTENDED HOT TAIL) |
| | <i>Includes 883349</i> | <i>CLIP DEFROST HEATER B MODEL EVAP (2)</i> |
| | <i>Includes 883350</i> | <i>CLIP DEFROST HEATER T MODEL EVAP (2)</i> |
| | <i>Includes 822156</i> | <i>TIE PLASTIC 100MM Y1.8R</i> |
| | <i>Includes 855305</i> | <i>HARNESS ADAPTOR DEFROST HEATER</i> |
| 11 | 883992 | CHASSIS EVAPORATOR KIT E635/680B MODEL |
| | <i>Includes 855299</i> | <i>CLIP HEATER 20MM EVAP FIN (2)</i> |
| | <i>Includes 880423</i> | <i>DEFLECTOR CHASSIS HTR 635/680 B</i> |
| | <i>Includes 883349</i> | <i>CLIP DEFROST HEATER B MODEL EVAP (2)</i> |
| | <i>Includes 883942</i> | <i>CHASSIS EVAPORATOR E635/680B MODEL</i> |
| 13 | 880724 | FLOW DEFLECTOR |
| 14 | 871463 | CLIP TUBE EVAP PLASTIC |
| 16 | 855299 | CLIP HEATER 20MM EVAP FIN (2) |
| 17 | 880585 | CLIP CHASSIS HEATER B MODEL |
| 18 | 883349 | CLIP DEFROST HEATER B MODEL EVAP |
| 19 | 881512 | DEFLECTOR AIR FLOW B MODEL |
| NI | 883795 | WIRE DEFROST HEATER |

DISPLAY MODULE AND DUCT COVERS

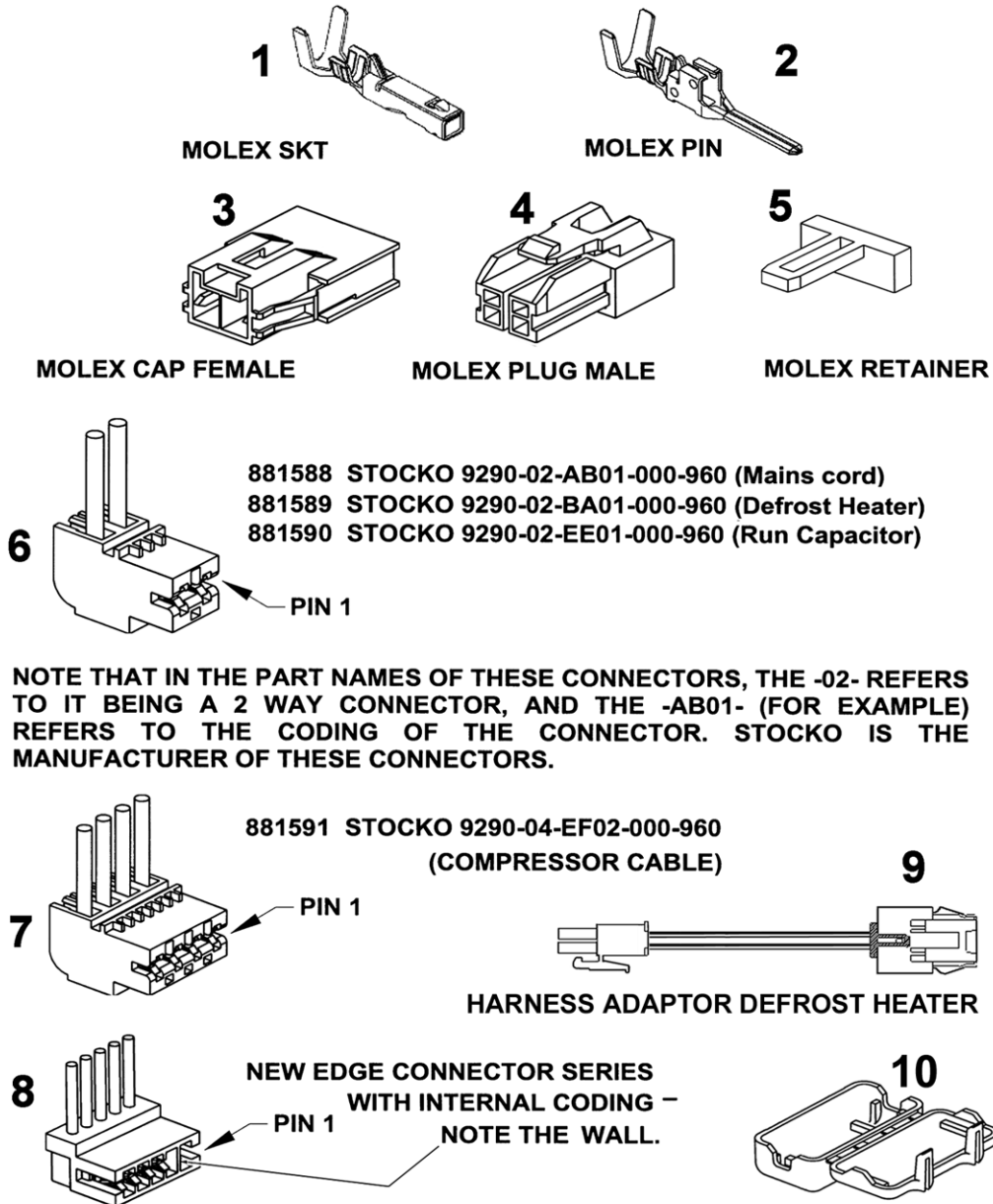


DISPLAY MODULE AND DUCT COVERS

| REF | PART | DESCRIPTION |
|-----|-----------------|--|
| 2 | 881218P | MODULE DISPLAY – BC ST4 |
| 3 | 880779 | GASKET DISPLAY MODULE |
| 4 | 883448 | INSERT GRAPHICS DISPLAY |
| 5 | 883449 | LENS CLEAR-DISPLAY MODULE |
| 6 | 855203P | SENSOR KIT ASSY |
| | <i>Includes</i> | <i>HEATSHRINK 1/8" MW ADHESIVE LINED</i> |
| | <i>Includes</i> | <i>HARNESS SENSOR PC</i> |
| 7 | 836764 | COVER DUCT TOP PC B |
| 8 | 900475P | SCREW 8X16.4MM SP PAN NIB ST (PKT 10) |
| 9 | 873950 | INSULATION COVER DUCT LONG B |
| 11 | 881191 | COVER DUCT B SGL SLOT LONG |
| 12 | 813287 | GRILLE PC RETURN AIR B MODEL |
| 13 | 872833 | INSULATION INSERT PID 635 B |

ACTIVE SMART ST4 TERMINALS PLUGS & SOCKETS

ACTIVE SMART STAGE 4 TERMINALS, PLUGS AND SOCKETS



NOTE: TO MINIMISE THE NUMBER OF SPARE PARTS THAT NEED TO BE CARRIED, THESE CODED CONNECTORS ARE TO BE REPLACED WITH THEIR UN-CODED EQUIVALENTS. FOR THE 3, 5 AND 6 WAY CONNECTORS USED ON STAGE 4 CABINETS

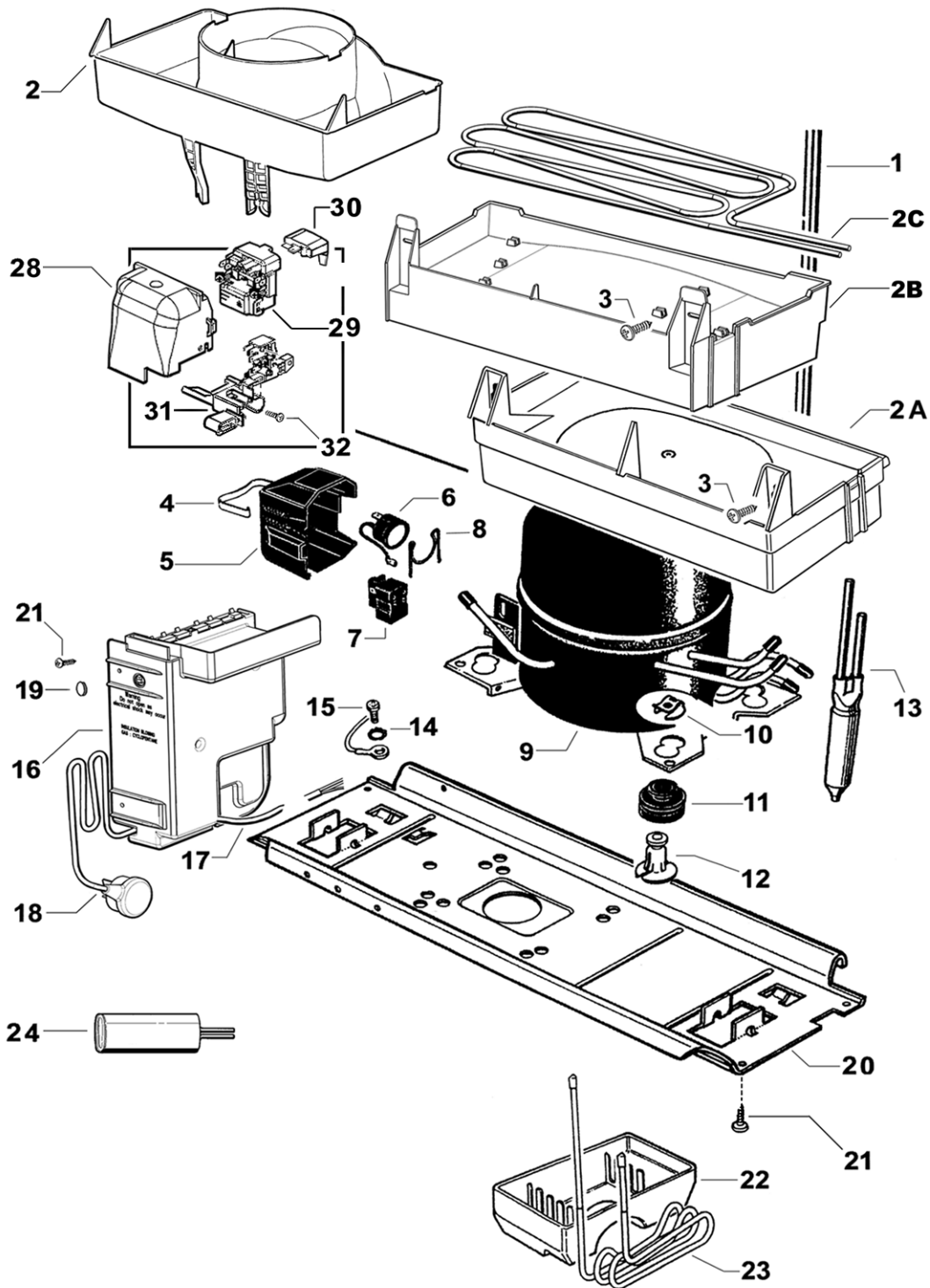
ACTIVE SMART ST4 TERMINALS PLUGS & SOCKETS

| REF | PART | DESCRIPTION |
|-----|--------|--------------------------------|
| 1 | 881595 | SOCKET 16-22AWG 50597-8100 MLX |
| | 881596 | SOCKET 20-26AWG 50598-8100 MLX |
| 2 | 881597 | PIN 16-22AWG 50599-8100 MLX |
| | 881598 | PIN 20-26AWG 50600-8100 MLX |
| 3 | 881592 | CAP FEMALE 51139-0200 MLX |
| 4 | 881593 | PLUG MALE 51138-0200 MLX |
| 5 | 881594 | RETAINER 51140-0205 MLX |
| 6 | 881588 | CONNECTOR RAST 9290-02-AB01 |
| | 881589 | CONNECTOR RAST 9290-02-BA01 |
| | 881590 | CONNECTOR RAST 9290-02-EE01 |
| 7 | 881591 | CONNECTOR RAST 9290-04-EF02 |
| 8 | 873243 | CONNECTOR RAST 7234-012-500 |
| | 873247 | CONNECTOR RAST 7234-006-500 |
| | 873248 | CONNECTOR RAST 7234-010-500 |
| | 873250 | CONNECTOR RAST 7234-004-500 |
| | 873251 | CONNECTOR RAST 7234-003-500 |
| | 873279 | CONNECTOR RAST 7234-008-500 |
| | 881135 | CONNECTOR RAST 7234-005-500 |
| | 881136 | CONNECTOR RAST 7234-014-500 |
| | 881137 | CONNECTOR RAST 7234-017-502 |
| 9 | 855305 | HARNESS ADAPTOR DEFROST HEATER |
| 10 | 884412 | COVER PLUG MLX |

NOTE: THE NUMBERS IN THE DESCRIPTION OF THE RAST CONNECTOR DENOTES THE NUMBER OF CONNECTIONS

EXAMPLE: 7234-017-502 =17 WAY CONNECTOR

COMPRESSOR, ANCILLARY COMPONENTS & CONTROL MODULE

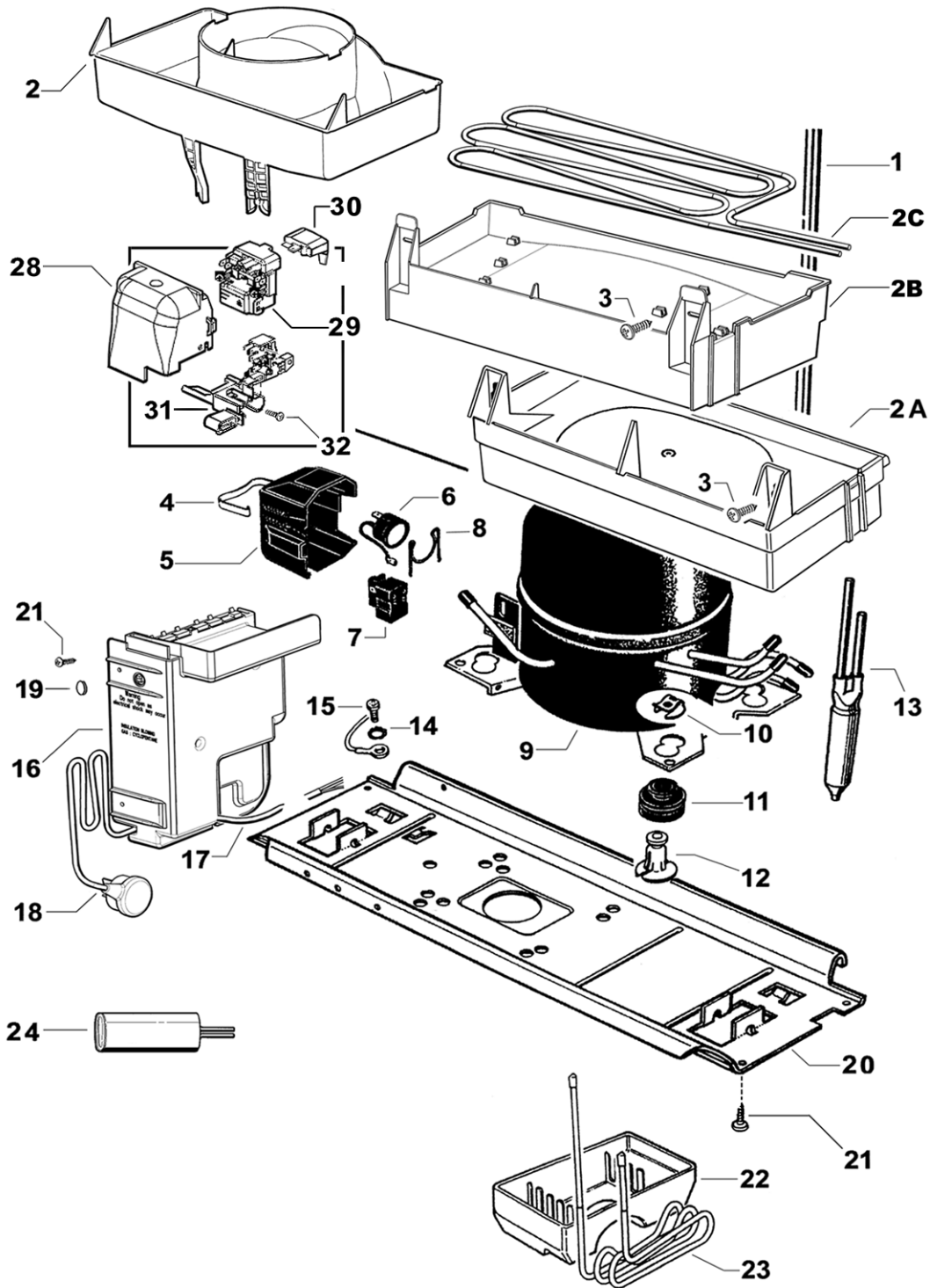


COMPRESSOR, ANCILLARY COMPONENTS & CONTROL MODULE

| REF | PART | DESCRIPTION |
|-----|--------------------------|---|
| 1 | 873044 | PANEL BACK & CONDENSER ASSY |
| 2 | 813435 | TRAY WATER EVAP TOP HAT |
| 2A | NOT USED | |
| 2B | NOT USED | |
| 2C | NOT USED | |
| 3 | SP0201P | SCREW 8X12 PAN PH NIB (PKT 10) |
| 5 | NOT USED | |
| 6 | NOT USED | |
| 7 | NOT USED | |
| 8 | NOT USED | |
| 9 | 207124P | COMPR MAT DGX7313TAY 240V 50HZ |
| | <i>Includes 207131</i> | RELAY PTC MAT M150MB3 |
| | <i>Includes 207140</i> | O/LOAD MAT 5TM734LFBYY |
| | <i>Includes 207159</i> | CAPACITOR RUN 2.5uf 400VAC RAST5 |
| | ▶ <i>Includes 207169</i> | GROMMET COMPRESSOR MOUNTING 33M (4) |
| | <i>Includes 207173</i> | CAPACITOR START 45uf 400VAC (50mm x 116mm) |
| | <i>Includes 207174</i> | BRACKET HALF SADDLE 50mm |
| | <i>Includes 209078</i> | COVER PROTECTOR, |
| | <i>Includes 209673</i> | CLIP COVER 01-245233 |
| | <i>Includes 502173</i> | FILTER DRIER 12 GR DUAL BRAZED |
| | ▶ <i>Includes 813421</i> | PIN COMPRESSOR MOUNTING 33MM (4) |
| | <i>Includes 813435</i> | TRAY WATER EVAP TOP HAT |
| | <i>Includes 813393</i> | HARNESS COMPRESSOR 4 CORE DGX |
| | <i>Includes 855270</i> | CLIP FOOT COMPRESSOR |
| | <i>Includes 883201</i> | TUBE CU 4.76X155 DBLE SWAGE |
| | <i>Includes 901525</i> | SCREW #8X12 SP PAN NIB ST ZP (2) |
| | <i>Includes 813773</i> | INSTRUCTION SHEET DGX SERIES |
| | | ▶ IMPORTANT:- MUST BE USED WITH MATSUSHITA DGX COMPRESSORS |
| 10 | 855270 | CLIP FOOT COMPRESSOR |
| 11 | 207169 | GROMMET COMPRESSOR MOUNTING 33mm |
| 12 | 813421 | POST COMPRESSOR MOUNTING 33mm |
| 13 | 502173P | FILTER DRIER 12 GR DUAL BRAZED |
| 14 | 900101P | WASHER LOCK NO 10 EXT SP ZP (PKT 10) |
| 15 | 900377P | SCREW 8X32X8 TYPE 23 PAN PH ZP (PKT 10) |
| 16 | 884519P | MODULE CONTROL 220-240V ST4.2 SP KIT |
| | <i>Includes 813212</i> | INSTRUCTION SHEET ST4.2 CONTL MODULE KIT |
| | <i>Includes 813236</i> | INSTRUCTION SHEET ST4.2 DIAGNOSTIC |
| | <i>Includes 884518</i> | FAN & HOUSING PC ASSY (OVER MOULDED FAN) |
| | <i>Includes</i> | MODULE CONTROL 220-240V ST4.2 |
| 17 | 813393 | HARNESS COMPRESSOR 4 CORE DGX |
| 18 | 881402 | CABLE SUPPLY EUROPE ST4.2 |
| 19 | 875861 | PLUG PLASTIC LT GREY |
| 20 | 878488 | TRAY COMP MOUNTING 680 |
| 21 | 900475P | SCREW 8X16 SP PAN NIB STZP PH (PKT 10) |

Continued next page

COMPRESSOR, ANCILLARY COMPONENTS & CONTROL MODULE



COMPRESSOR, ANCILLARY COMPONENTS & CONTROL MODULE

| REF | PART | DESCRIPTION |
|------------|-------------|---|
| 22 | NOT USED | |
| 23 | NOT USED | |
| 24 | 207159 | CAPACITOR RUN 2.5Uf 400v RAST5 (25mm X 51mm) MATSUSHITA DGX COMPRESSOR 240V 50HZ |
| | 207173 | CAPACITOR START 45uf 400VAC (50mm x 116mm) |
| NI | 207174 | BRACKET HALF SADDLE 50mm |
| NI | 881044P | SCREW #8X22 WAFER PH STZP (PKT 10) |
| 28 | 209078 | COVER PROTECTOR DGX COMPRESSOR |
| 29 | 207131 | RELAY PTC MAT 150MB3M24 DGX |
| 30 | 207140 | OVERLOAD MAT 734LFBYY DGX66 73 |
| 31 | NOT USED | |
| 32 | NOT USED | |
| NI | 874329 | CABLE LEAD EARTH |
| NI | 883875 | TUBE SUCTION & CAPILLARY ASSEMBLY |

NOTES

REFRIGERATION ABBREVIATION KEY

| | |
|----------------------|--|
| 10W | 10 WATTS |
| 12V | 12 VOLTS |
| BC | BUTTER CONDITIONER |
| BS | “B” SERIES CABINET |
| CH | CHARCOAL COLOUR |
| DC | DIRECT CURRENT |
| DK GY | DARK GREY |
| F&P | FISHER & PAYKEL |
| FC | FREEZER COMPARTMENT |
| HAN P/C | HANDLE POWDER COATED |
| HC | HUMIDITY COMPARTMENT |
| HCL | HUMIDITY CONTROL LID |
| HS | HOT STAMPED |
| LH | LEFT HAND |
| LHB | LEFT HAND BOTTOM |
| LHT | LEFT HAND TOP |
| LT GY | LIGHT GREY |
| M5 | 5 MILLIMETER |
| MD GY | MID GREY |
| MEPS | MINIMUM ENERGY PERFORMANCE STANDARDS |
| PC | PROVISION COMPARTMENT |
| PUSHIN | PUSHIN TYPE GASKET |
| RH | RIGHT HAND |
| RHB | RIGHT HAND BOTTOM |
| RHT | RIGHT HAND TOP |
| SA or S/STONE | SANDSTONE COLOUR |
| SATIN OR SC | SATIN CHROME FINISH |
| SL or SIL | SILVER |
| SML | SMALL |
| SS | STAINLESS STEEL |
| X/RAIL | CROSS RAIL |
| XH9 | TYPE OF DESSICANT WITHIN A FILTER DRIER |